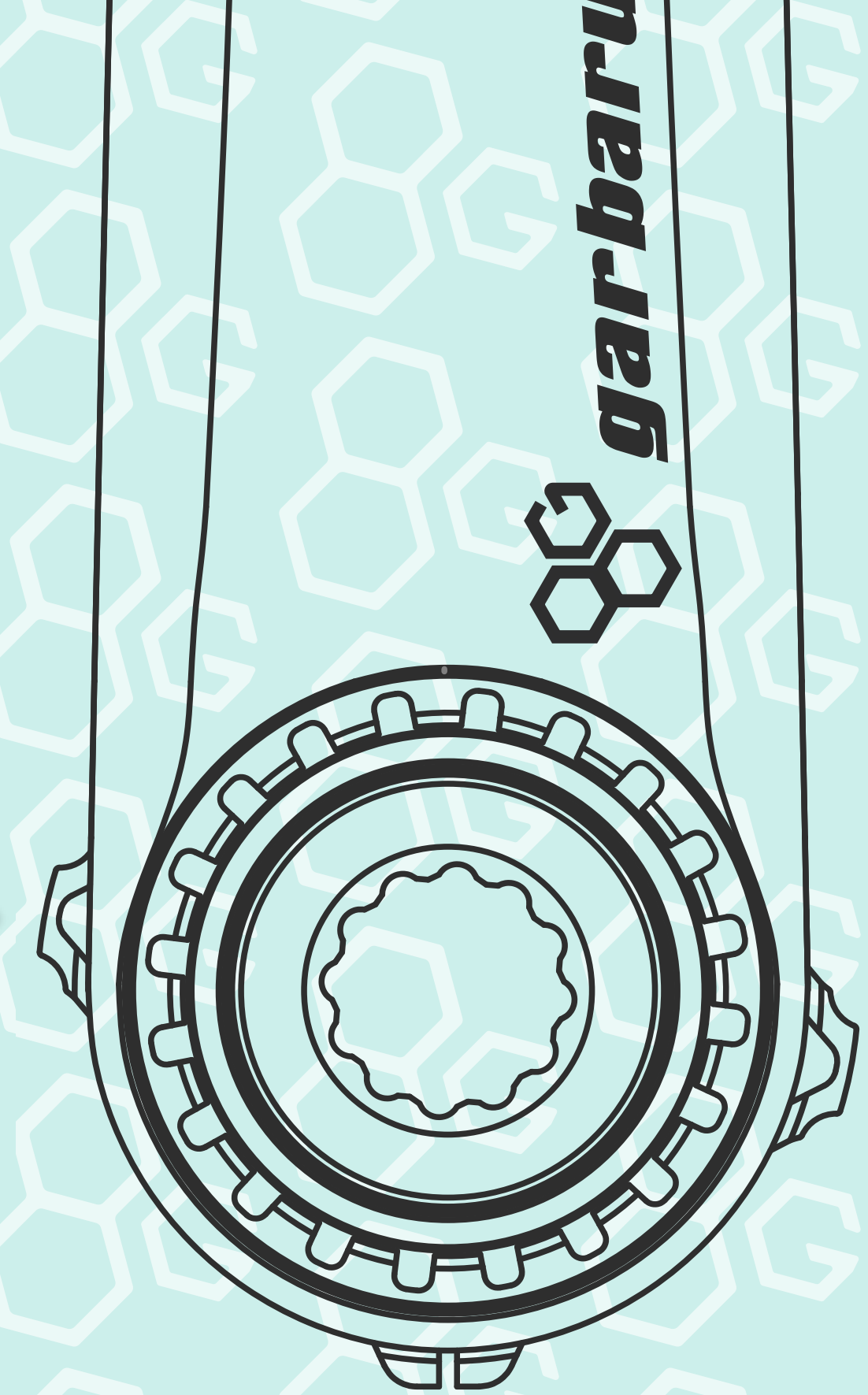


garbaruk

How to check if our crankset is compatible with your bike

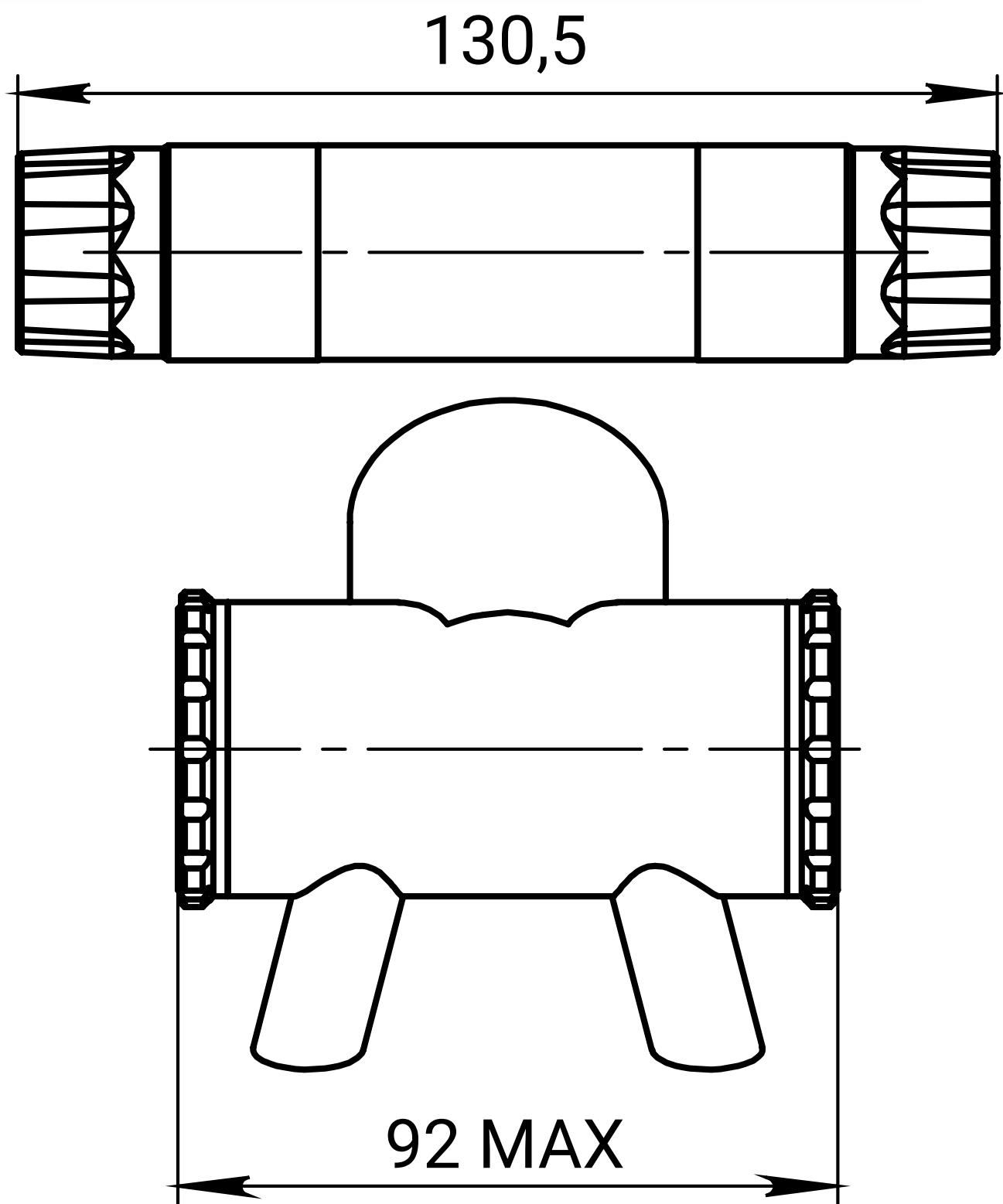


To check, if our crankset is compatible with your bike, please refer to the bottom bracket compatibility table

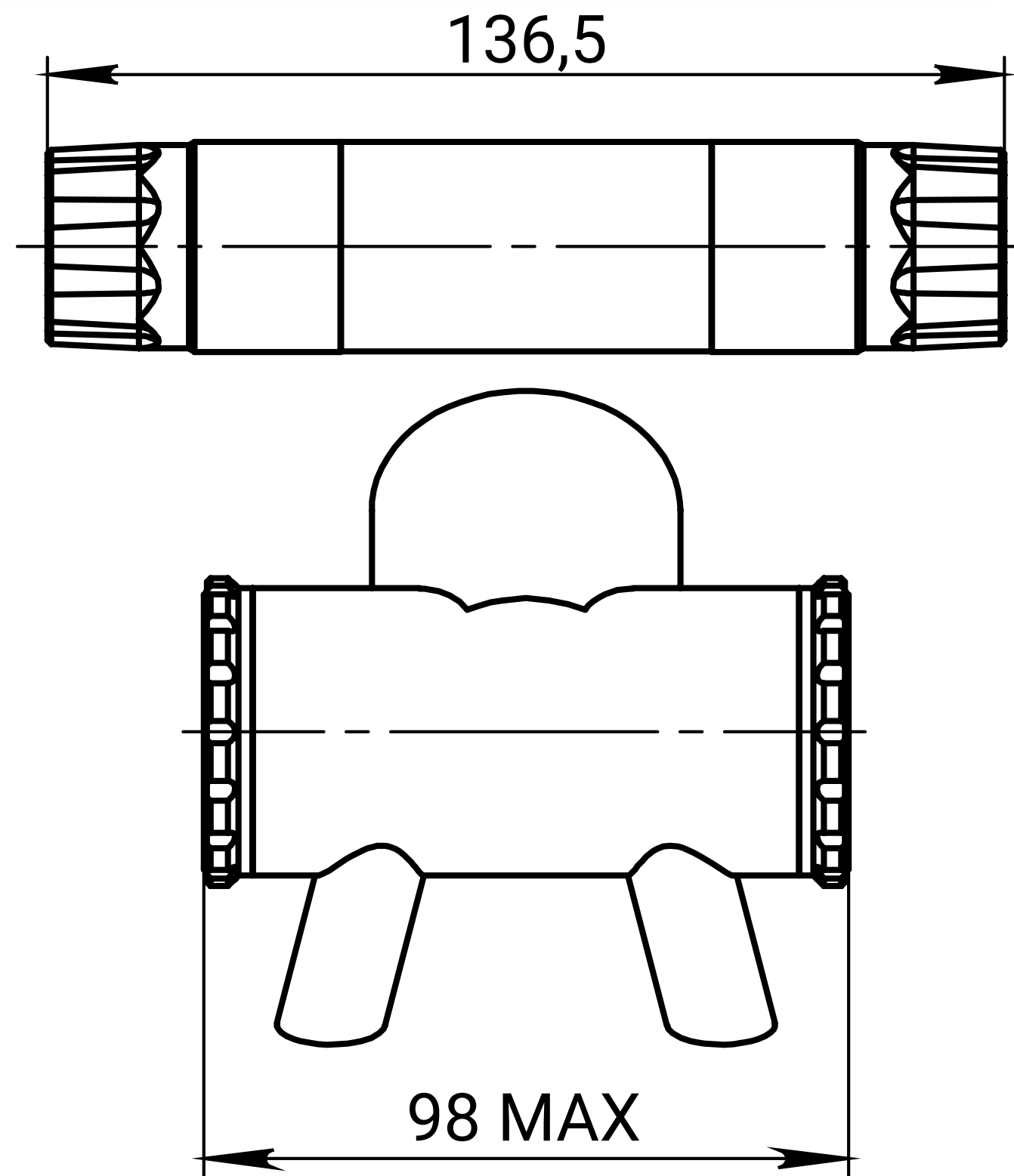
Bottom bracket compatibility table

	Spindle D30			Spindle D29 (SRAM_DUB)		
	MTB Spindle 136,5 CI 52	Road/Gravel Spindle 130,5 CL45/47,5	MTB Spindle 140,5 CI 55	MTB Spindle 136,5 CI 52	Road/Gravel Spindle 136,5 CL45/47,5	MTB Spindle 140,5 CI 55
BSA 68	✓	✓	✓	✓	✓	✓
BSA 73	✓		✓	✓		✓
T47 68 External		✓			✓	
T47 73 External	✓		✓	✓		✓
T47 73 Internal	✓		✓	✓		✓
T47 83 Internal	✓		✓	✓		✓
T47 85,5 Internal		✓			✓	
T47 86,5 Internal		✓			✓	
T47 89,5 Internal	✓		✓	✓		✓
T47 92 Internal	✓		✓	✓		✓
PF30-68 (PressFit D46)		✓			✓	
PF30-73 (PressFit D46)	✓	✓	✓	✓		✓
PF30-83 (PressFit D46)	✓		✓	✓		✓
BB 386 86,5 (PressFit D46/ PF386)		✓			✓	
BB 392 92 (PressFit D46/ PF392)	✓		✓	✓		✓
BB86 D41/86,5 (PressFit D41)		✓			✓	
BB89,5 D41/89,5 (PressFit D41)	✓		✓	✓		✓
BB92 D41/92 (PressFit D41)	✓		✓	✓		✓
BB30 (PressFit D42) 68		✓			✓	
BB30 (PressFit D42) 68	✓	✓	✓	✓		✓
BB30 (PressFit D42) 83	✓		✓			

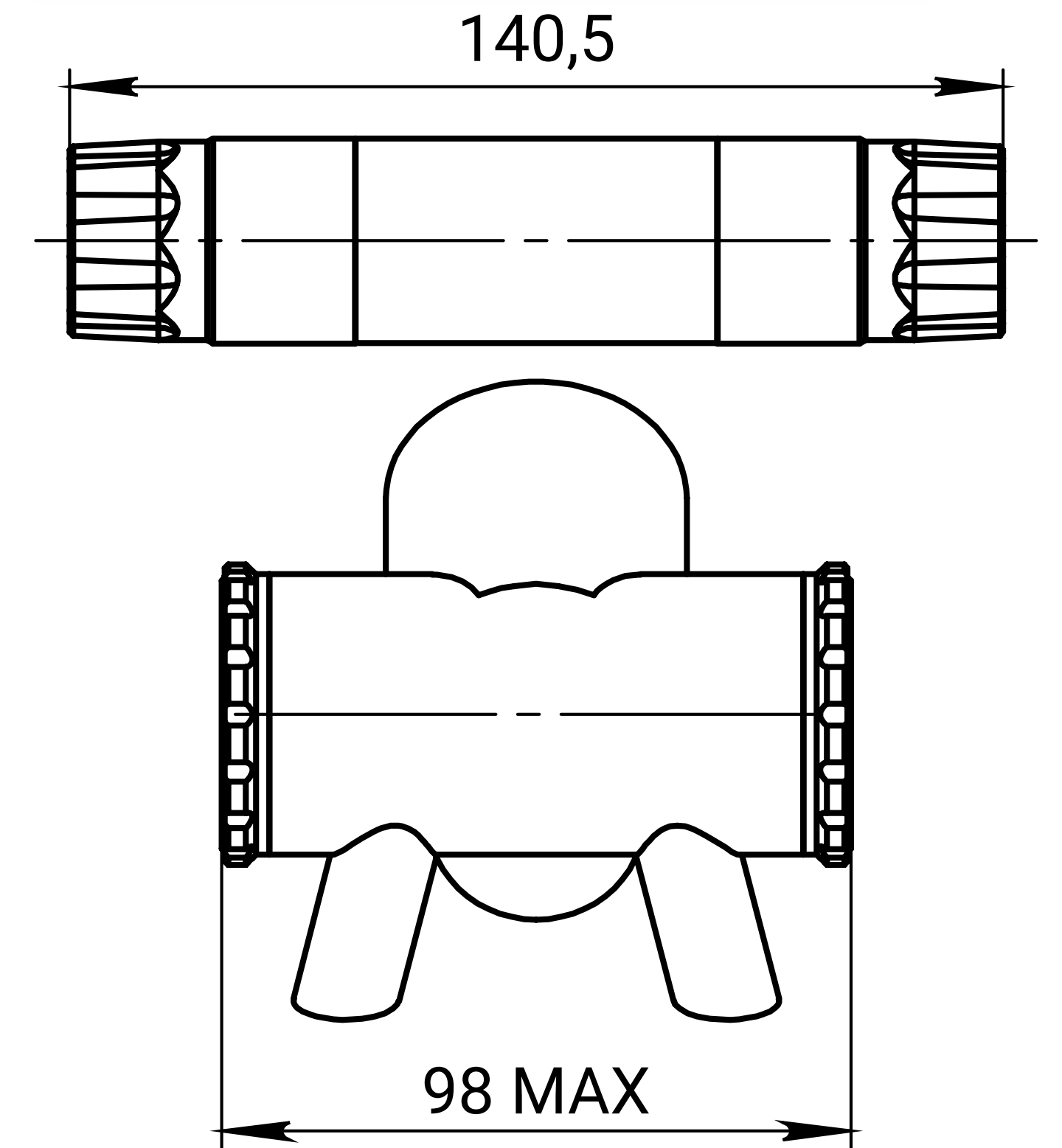
For Spindle L=130.5mm.
(Road/Gravel crankset) maximum
bottom brackets width 92mm.



For Spindle L=136.5mm. (XC
crankset/Enduro crankset) maximum
bottom brackets width 98mm.



For Spindle L=140.5 mm. maximum
bottom brackets width 98mm.



If you're not sure about your bottom bracket, please follow the guide to measure your bottom bracket width

Step 2

Measure bottom bracket width.

